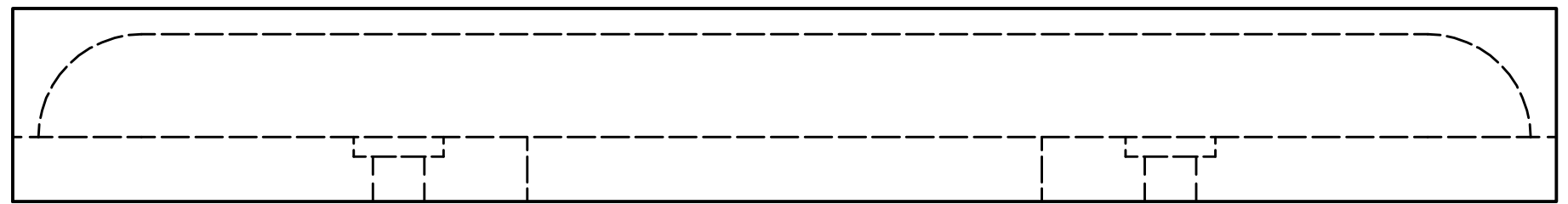
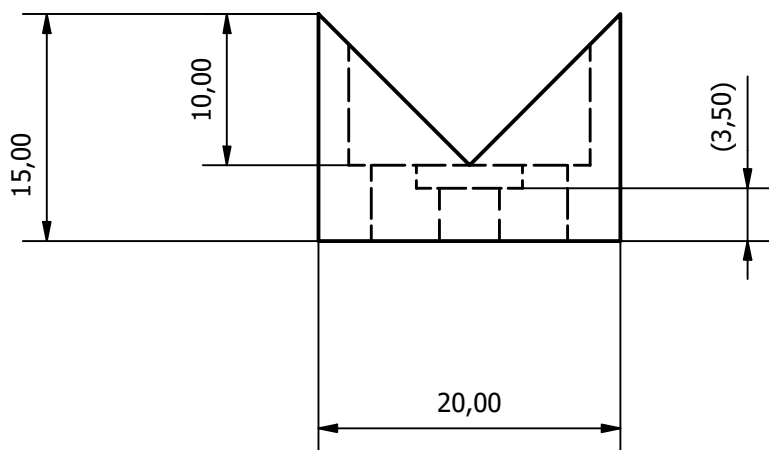
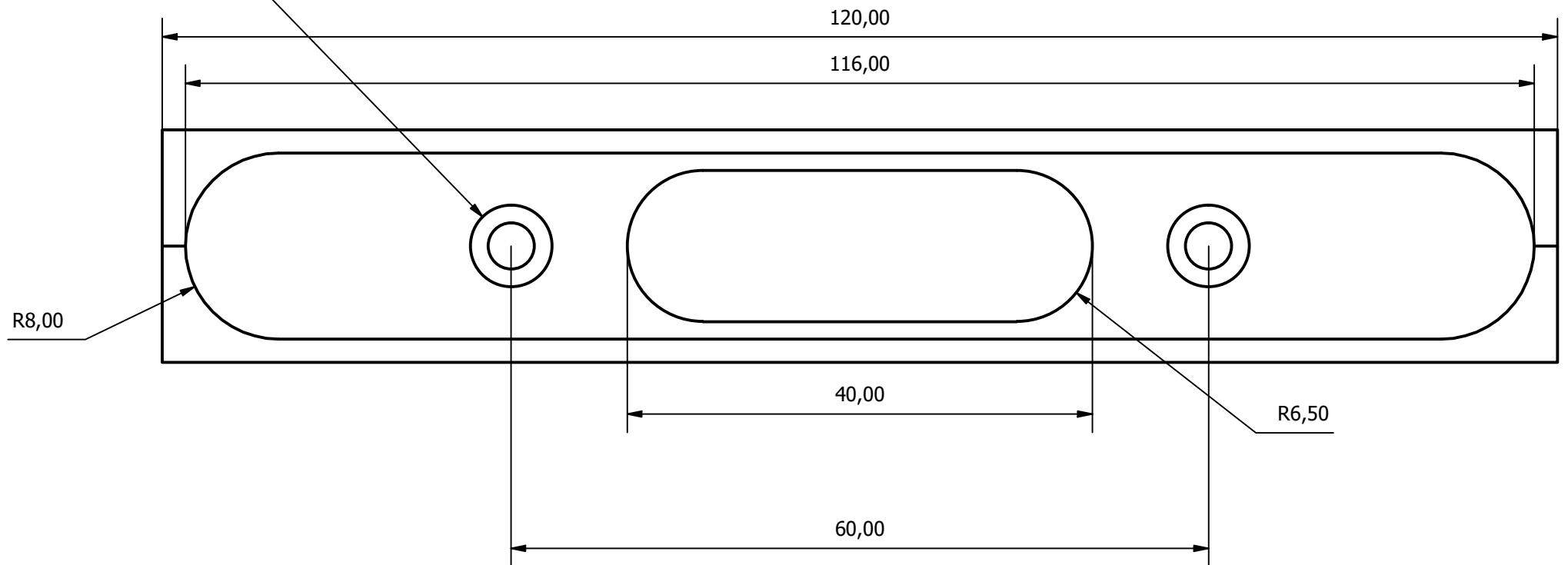
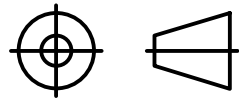


Ø4,00 THRU
 □ Ø7,00 ▽ 11,50



UNLESS OTHERWISE STATED: ALL DIMENSIONS IN MILLIMETRES AND APPLY BEFORE FINISHING. TOLERANCES: +/-0.1 MM, +/-1° REMOVE SHARP CORNERS - CHAMFER OR R0.5 MAX. INTERNAL RADII: 0.5 MAX. SURFACE TEXTURE: rA3.2 U.O.S. THREADS TO BS 3643 6g/6H. DRAWING PRACTICE TO BS 8888
www.poweredflowers.co.uk

3rd ANGLE PROJECTION



DO NOT SCALE

TITLE:

DRAWN BY:
JohnHolland

DRAWN DATE:
01/07/2024

SHEET
1 of 1

SCALE (UOS):
2 : 1

MATERIAL:

Acetal Resin, Black

CONFIDENTIAL. THIS DRAWING IS THE PROPERTY OF POWERED FLOWERS LTD. AND MAY NOT BE COPIED OR USED FOR ANY PURPOSE, OTHER THAN THAT WHICH IT IS SUPPLIED, WITHOUT OUR WRITTEN AUTHORITY.



Powered Flowers Ltd.
Unit 2, Fircroft Bus Ctr.,
Edenbridge, Kent.

DRAWING NUMBER:

DiaFlat Mount

REVISION:

A-A